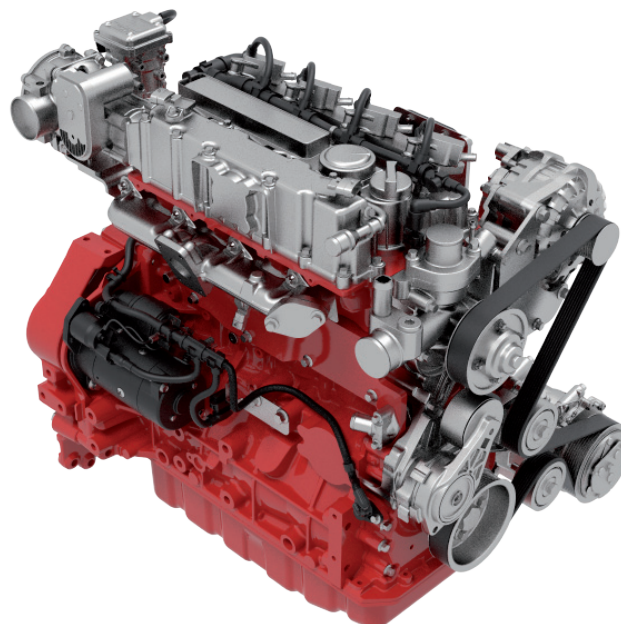


# DEUTZ G 2.2 / 2.9

For mobile machinery ■ 26-54 kW / 35-73 hp at 2200-2600 min<sup>-1</sup>/rpm ■ EU Stage V / US EPA Tier 4

- Newly-designed, water-cooled 3- and 4-cylinder spark ignited LPG engines
- Robust engine design for demanding industrial applications based on the successful TCD 2.9 series.
- Full electronic controlled LPG gas system, stoichiometric combustion, closed loop control and knocking sensors for lowest emissions and best performance at the same time.
- Open EAT system (3 way catalyst) means 100% machine availability even under lowest load duty cycles.
- Same foot print and major installation interfaces as diesel engines TCD 2.2/2.9 for ease of installation in diesel and gas powered machines.
- Up to 1000 h oil change intervals, maintenance-free valve train and optionally service-friendly multi-V belt drive result in low maintenance cost and increased machine availability.
- The extremely compact engine design and customer friendly accessories reduce the installation cost and increase the number of applications.
- 100% power take-off at flywheel and front end and additional side PTO drive with up to 120 Nm for the mounting of hydraulic pumps.
- Compact 3-way catalyst for future EU Stage V and EPA Tier 4 compliance.
- Variants without EAT for lesser regulated markets will enlarge the product range at a later point of time.



## TECHNICAL DATA

Engine type		G 2.2 L3	G 2.9 L4
No. of cylinders		3	4
Bore/stroke	mm   in	92/110   3.6/4.3	92/110   3.6/4.3
Displacement	l   cu in	2.19   133	2.92   177
Max. nominal speed	min <sup>-1</sup>   rpm	2200-2600	2200-2600

Engine type		G 2.2 L3	G 2.9 L4
Power output as per ISO 14396 <sup>1)</sup>	kW   hp	40   53	54   72.4
at speed	min <sup>-1</sup>   rpm	2800	2800
Max. torque	Nm   lb/ft	160   118	215   159
at speed	min <sup>-1</sup>   rpm	1400-1600	1400-1600
Minimum idling speed	min <sup>-1</sup>   rpm	900	900
Weight as per DIN 70020 Part 7A <sup>2)</sup>	kg   lb	200   441	220   485

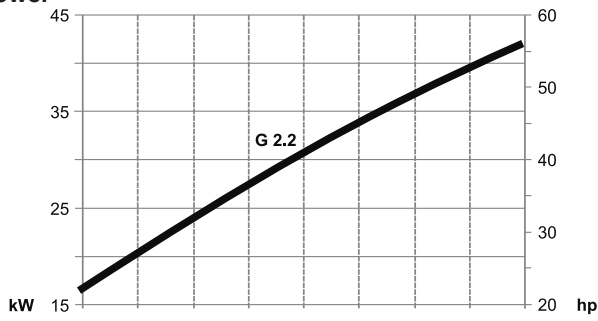
1) Power data without deduction of fan power

2) Without starter/alternator, cooler and fluids but with flywheel and flywheel housing

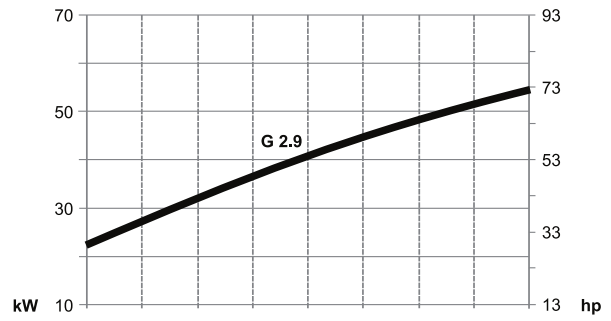
## CHARACTERISTIC CURVES

G 2.2

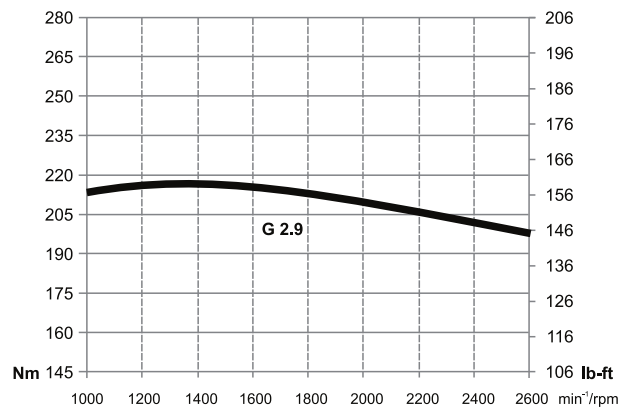
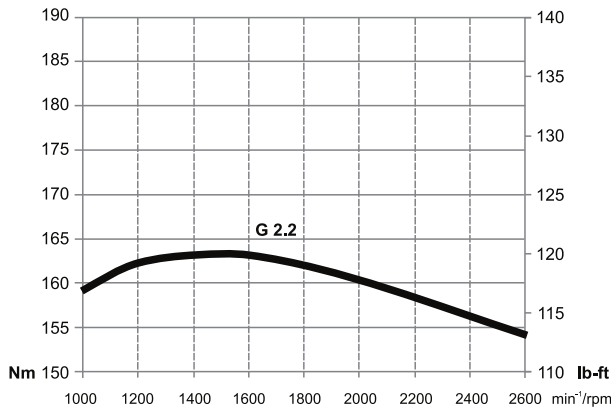
### Power



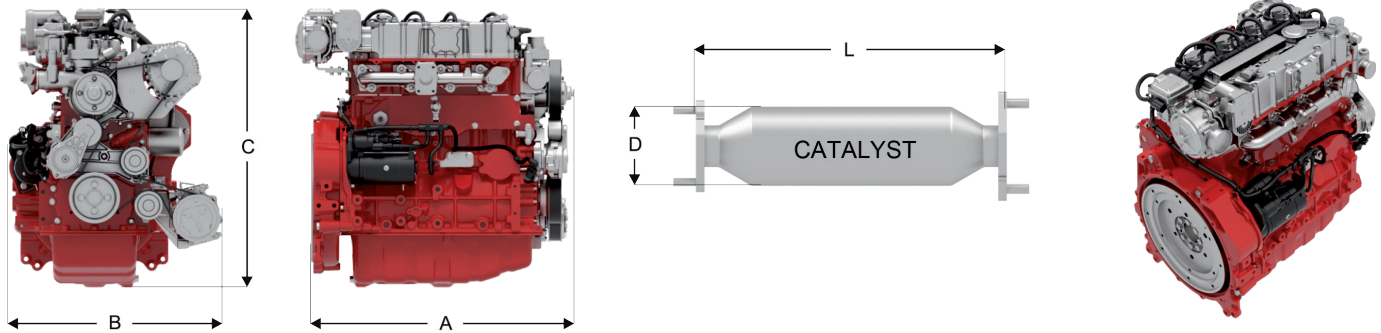
G 2.9



### Torque



## DIMENSIONS



Engine type		EAT			DVERT® EAT		
		A	B	C	D	L	3-Way-Catalyst
G 2.2	mm   in	617   24.3	480   18.9	711   28.0	102   4.0	400   15.7	■
G 2.9	mm   in	719   28.3	498   19.6	719   28.3	130   5.1	400   15.7	■

■ Standard for EU Stage V / US EPA Tier 4

Note: The engine dimensions and weights vary depending on the scope of delivery. The data on this data sheet are for information purposes only and are not binding values. For more information please contact your responsible sales partner.

**DEUTZ Corporation**  
 3883 Steve Reynolds Blvd.  
 Norcross, GA 30093, USA  
 Phone: +1 770 564 7100  
 Telefax: +1 770 564 7222  
 E-mail: info@deutzusa.com  
 www.deutzamericas.com

The engine company. 